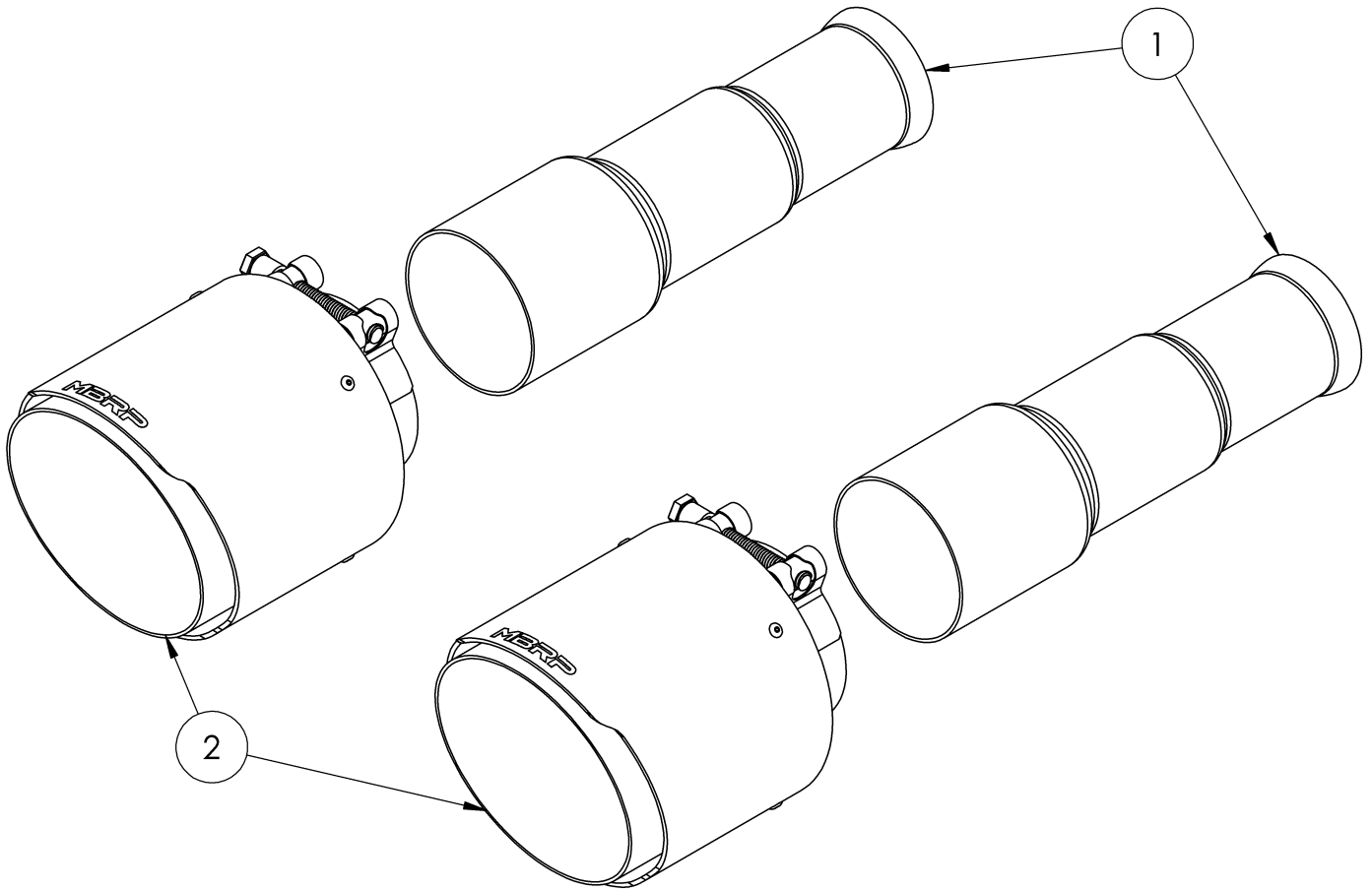


# T5199CF

2019-2024 RAM 1500 5.7L HEMI,  
5", DUAL TIPS, REPLACES FACTORY TIPS

# MBRP®



ITEM	DESCRIPTION	QTY
1	ADAPTOR PIPE	2
2	TIP	2

Refer to this LOT NUMBER when contacting customer service: \_\_\_\_\_

## PLEASE READ BEFORE STARTING INSTALLATION

While MBRP has made every effort to ensure that all components of this system are of superior quality and properly packaged, it is the installer's responsibility to ensure the following before removal of the factory exhaust:

- that ALL components shown above are present.
- that ALL mating components fit together.
- that there are no damaged components.
- that the system you have purchased is appropriate for your vehicle year, model and configuration.
- that the system will not interfere with any modifications previously installed or planned.
- that you have read and understand these instructions.

If you have any questions or are uncertain about any aspect of the installation of this system to your vehicle please contact your dealer before commencing installation.

# MBRP



Figure 1

## Removal of Stock System

1. Apply penetrating lubricant liberally to the exhaust tip clamp bolts.
2. Loosen the exhaust tip clamps and remove the factory exhaust tips.  
**Refer to Figures 1 & 2.**

## Installation of MBRP Exhaust Tips



Figure 2

1. Loosely install the new **Adaptor Pipe** onto the muffler outlets, and under the factory clamps.  
**Refer to Figure 3.**
2. Loosely install, align, and center the **Exhaust Tips** in the bumper openings and fully tighten the clamps.  
**Refer to Figure 4.**
3. Verify that all hardware is tight, and the **Exhaust Tips** are fully secure with even clearance from the bumper opening.



Figure 3



Figure 4



**Congratulations!** You are ready to begin experiencing the improved appearance of your **MBRP** Exhaust Tips. We know you will enjoy your purchase!